

CS 50 BM2-2-ES-G5

Vision Sensor - CS 50

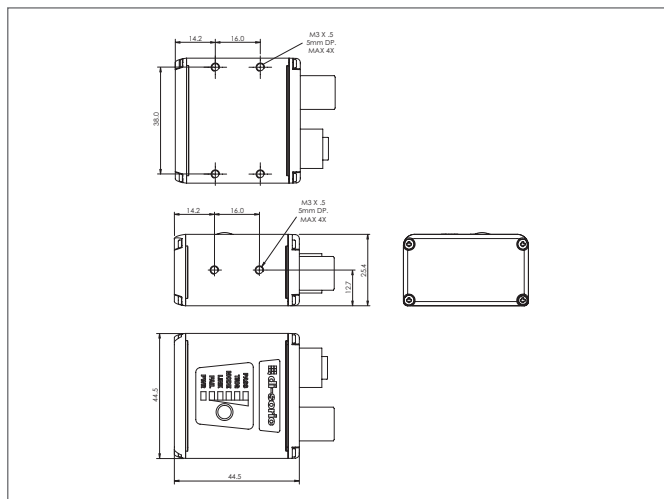


- Highest performance with up to 2520 inspections per minute
- Image export via FTP
- Internal LEDs, filter, polarizer field exchangeable
- Multiple detections and measurements
- Profinet / Ethernet- / TCP-IP / RS 232
- Multi-language and intuitive software
- Shape- and presence detection, positioning counting & logic
- Wear-free autofocus integrated
- Two focal lengths in one unit, switchable via click-zoom
- Compact design and low weight
- Practically unlimited number of jobs possible



Safety instructions

The Instruments are not to be used for safety applications, in particular applications in which safety of persons depends on proper operation of the instruments.
These instruments shall exclusively be used by qualified personnel.



TECHNICAL INFORMATION (typ.)	+20°C, 24V DC
Model	CS 50
Size	44.5 x 44.5 x 25.4 mm (Dimensions)
Design	cuboid design
Number of inputs/outputs	1/3
Service voltage	4,75 ... 30 V DC
Internal power consumption	150 mA, (24 V DC)
Control buttons	1
Resolution	640 x 480 pixel, global shutter
Working distance	50 ... 300 mm
Switching output	max. 100 mA per output, opto-isolated (current limited by user)
Interface	RS 232, Ethernet / TCP / IP, Profinet
Speed of parts	2.520 ppm
External trigger input	off = < 1,0 V (Input ON) on 0 > 2,0 V (Input OFF)
Inspection functions	Shape recognition, Presence, Measurement, Counting, Logic
Configuration	Internal trigger, External trigger input, PC Software Setup, Logic for user-defined outputs, Highest resolution (640 x 480), Free running
Lighting changeable	yes (red / white / blue / IR)
Ambient temperature	0 ... +40 °C
Protection class	IP 65, IP 67
Protection degree	III, operation on protective low voltage
Casing material	Aluminium black
Focal length	5 mm / 10 mm

CS 50 BM2-2-ES-G5

Vision Sensor - CS 50



TECHNICAL INFORMATION (typ.)	+20°C, 24V DC
Protocols	Ethernet / IP, RS 232, TCP-IP, Profinet
Weight	68 g
Interne Beleuchtung	High Power white
Image	sw / VGA
Number of jobs	Unlimited (1,4 GB), 1-255 in operation with ProfiNet
Shutter time	66 ... 58.825 µsec